

ST 010 201 9705



- 200mm projection
  - fixed spout
  - rectangular spray pattern with 40 individual jets
  - hole diameter 37 mm
  - 1/2" connection
  - plug-link mounting
  - max. flow 4.5 l/min
  - lead-free
  - automatic hygiene flush
  - suitable for thermal disinfection
  - adjustable follow-up time
  - high-frequency sensors with self-calibration
  - magnetic valve
  - 100-240 V AC / 12 V DC, 50-60 Hz, 18 W power supply unit, incl. country-specific adapter set
  - This product can help a building meet the requirements of Green Building Rating Systems, e.g. LEED®, BREEAM®, DGNB
- Cannot be combined with basins in conducting materials (e.g. steel, river stone).**  
**Cannot be combined with basins that have a closing drain.**  
**ATTENTION: Separate terms and conditions for electronic articles are applicable.**

**Individual components of this set**

You need the following components for this set



1x 42 766 970 90



1x 13 800 705-00



CL.1 eSET Touchfree Basin mixer without pop-up waste without temperature setting - Chrome

---

CL.1

ST 010 201 9705

**CL.1 eSET Touchfree Basin mixer without pop-up waste without temperature setting - Chrome**

CL.1

ST 010 201 9705



Fits: IMO, LULU, MADISON, MEM, TARA, CL.1, LISSÉ, VAIA, META, CYO

- automatic hygiene flush
  - suitable for thermal disinfection
  - adjustable follow-up time
  - high-frequency sensors with self-calibration
  - magnetic valve
  - 100-240 V AC / 12 V DC, 50-60 Hz, 18 W power supply unit, incl. country-specific adapter set
- Cannot be combined with basins in conducting materials (e.g. steel, river stone).  
Cannot be combined with basins that have a closing drain.**  
**ATTENTION: Separate terms and conditions for electronic articles are applicable.**

Cannot be combined with basins in conducting materials (e.g. steel, river stone).

Cannot be combined with basins that have a closing drain.

ATTENTION: Separate terms and conditions for electronic articles are applicable.

**Required miscellaneous**



**eSET Touchfree Basin mixer without temperature setting for combining with free-standing fittings -**

35 742 970 90

**Required miscellaneous**



**eSET Touchfree Basin mixer without temperature setting for combining with wall-mounted fittings -**

35 743 970 90

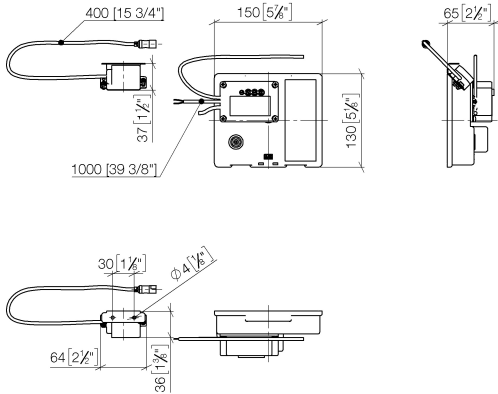
- min. recess depth 90 mm
- max. recess depth 125 mm

**Recommended miscellaneous**

**Extension for Touchfree 500 mm - 12 765 970 90**



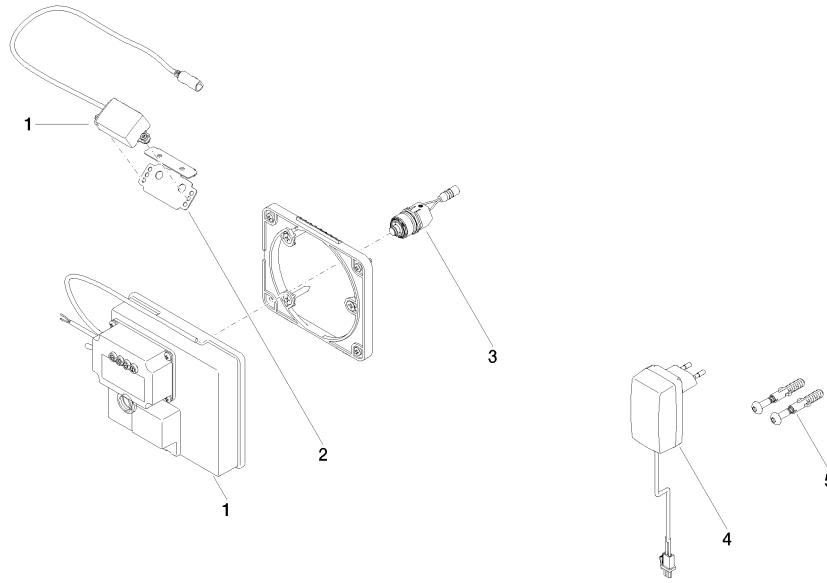
ST 010 201 9705  
mm [inches]



**Certificates**

LGA_29120.	WRAS_1906116.	IAPMO_EGS.	CE000001_eSet_Tou chfree_20171206_D E_signed.	CE000002_eSet_Tou chfree_20171206_E N_signed.
LGA_29119.				

ST 010 201 9705



**Spare parts list**

No.	Item Number	Name	Quantity used	Delivery time
1	90 10 01 177 00 90	electronic accessories	1	2
2	90 17 20 199 00 90	holder	1	2
3	04 30 50 079 00 90	valve	1	2
4	04 10 01 050 00 90	power supply	1	60
5	04 30 31 024 01 90	fixing set	1	2







**CL.1 eSET Touchfree Basin mixer without pop-up waste without temperature setting - Chrome**

CL.1

ST 010 201 9705



- 200mm projection
- fixed spout
- rectangular spray pattern with 40 individual jets
- hole diameter 37 mm
- lead-free
- 1/2" connection
- plug-link mounting
- max. flow 4.5 l/min
- This product can help a building meet the requirements of Green Building Rating Systems, e.g. LEED®, BREEAM®, DGNB

	Chrome	13 800 705-00
	Brushed Platinum	13 800 705-06
	Dark Chrome	13 800 705-19
	Brushed Champagne (22kt Gold)	13 800 705-46
	Champagne (22kt Gold)	13 800 705-47
	Brushed Dark Platinum	13 800 705-99

**Recommended miscellaneous**



**Concealed wall elbow -**

35 085 970 90

- max. recess depth 163 mm
- min. recess depth 90 mm



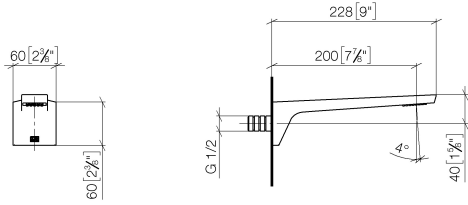
CL.1 eSET Touchfree Basin mixer without pop-up waste without temperature setting - Chrome

---

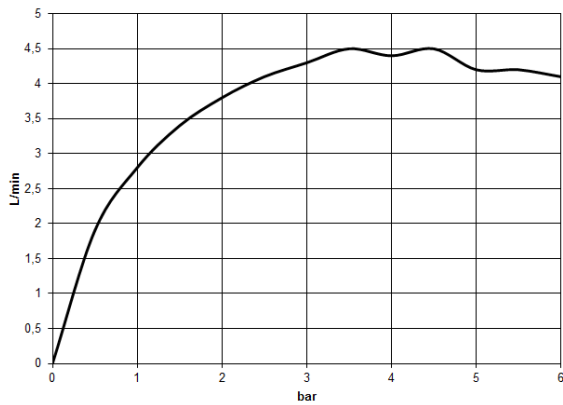
CL.1

ST 010 201 9705

ST 010 201 9705  
mm [inches]



**Flow rate chart**

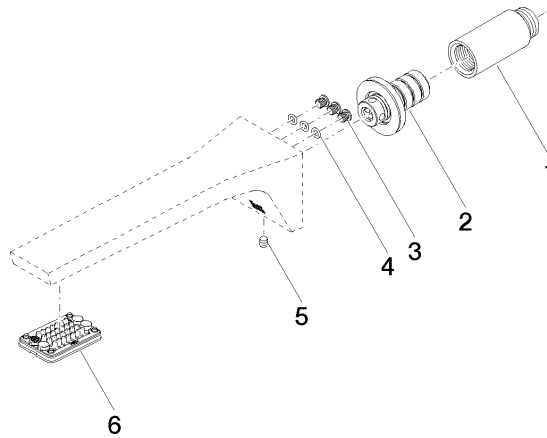


**Certificates**

LGA\_28685. IAPMO\_N-4976. IAPMO\_8834 (1). IAPMO\_4976 (6). WRAS\_1512013.

IAPMO\_6397.





### Spare parts list

No.	Item Number	Name	Quantity used	Delivery time
1	09 24 03 081 10 90	extension	1	2
2	90 24 03 108 01 90	nipple set	1	2
3	09 30 30 113 20 90	screw	3	2
4	09 14 10 001 90	seal	3	2
5	90 31 11 004 00 90	pin	1	2
6	90 11 02 297 00 90	aerator	1	2